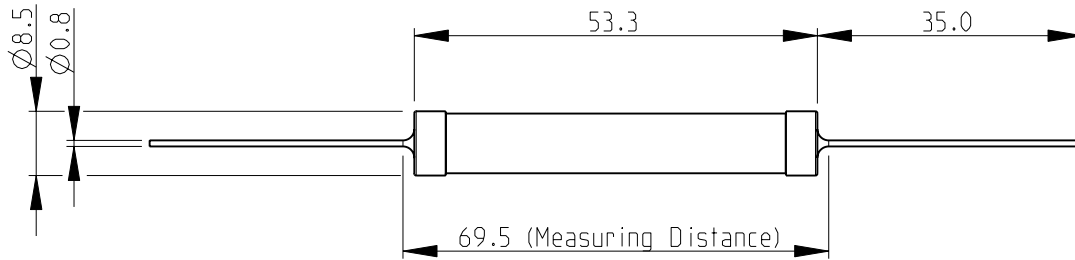


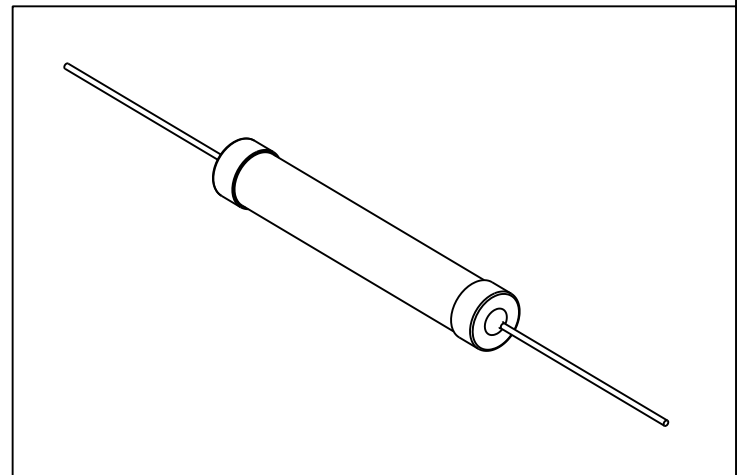
LOC	DIST	REVISIONS					
E	B	P	LTR	DESCRIPTION	DATE	DWN	APVD
			BA1	NOTE 2 ADDED	30NOV2010	PT	St.P

NOTES:

- FOR FURTHER INFORMATION SEE DATA SHEET FOR C SERIES-HIGH POWER RESISTORS.
- WEIGHT 0.600 Kg PER 100 PIECES.



RoHS Compliant



2008

RELEASED FOR PUBLICATION

THIS DRAWING IS UNPUBLISHED.

BY TYCO ELECTRONICS CORPORATION. ALL RIGHTS RESERVED.

DIMENSIONS: mm	DWN	SUBHASH.M	16-Sep-08	MATERIAL	-	FINISH	-	
	CHK	PRAKASH.S	16-Sep-08	Tyco Electronics Tyco Electronics Corporation Dorcan, Swindon, SN3 5HH				
TOLERANCES UNLESS OTHERWISE SPECIFIED:	APVD	STEPHEN.P	16-Sep-08					
	0 PLC	±0.2	PRODUCT SPEC	-	NAME HIGH POWER RESISTORS SERIES C14			
1 PLC	±0.1	APPLICATION SPEC	-					
2 PLC	±-	WEIGHT	-	SIZE	A 4	CAGE CODE	00779	
3 PLC	±-		-	DRAWING NO	C-1623774		RESTRICTED TO	-
4 PLC	±-			CUSTOMER DRAWING	SCALE	1:1	SHEET	1 OF 1
ANGLES	±5°							